

# AIR-LOC® STRINGER • VENTILATORS

## Air-Loc® Fan Assembly Features:

- For use as a line stringer, ventilator and smoke blower
- Made of lightweight, cast aluminum
- Foam base minimizes vibration
- 30" Diameter base plate

## Equipped with:

- Honda or Briggs & Stratton engine
- Top-mounted handles for easy maneuverability

## Line Stringer Usage Details:

- Will string a 300' section of sewer line in under a minute without plugging the line
- Line stringer vacuum pulls a lightweight nylon parachute through wet or dry lines

## Ventilator Usage Details:

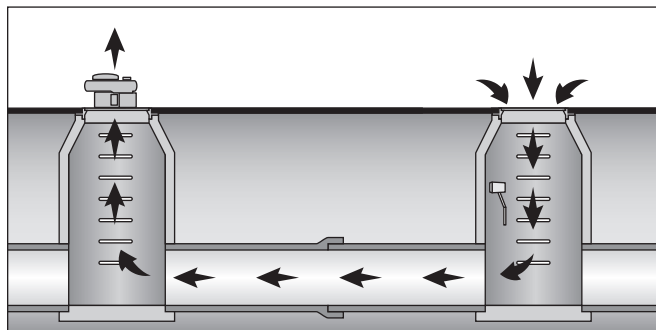
- Supports OSHA guidelines for confined space entry
- Provides up to 3,470 CFM as a suction ventilator<sup>1</sup>
- Out-performs similar competitive models by 40% at 3" of static pressure

## STRINGER • VENTILATOR

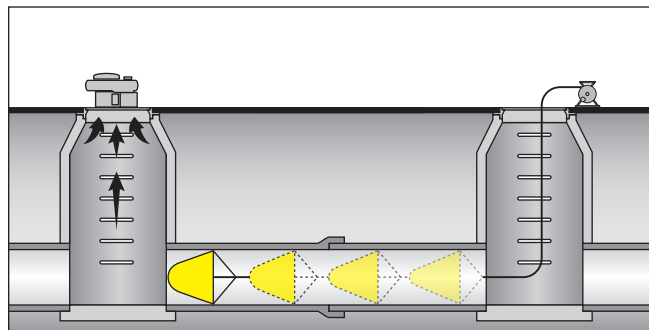


PART NUMBER	DESCRIPTION
303318	Line Stringer Kit: Honda engine 1000' nylon rope and reel, 6–10" parachute
301000	Line Stringer Kit: Briggs & Stratton engine 1000' nylon rope and reel, 6–10" parachute
013108	Fan Assembly: Honda engine
012100	Fan Assembly: Briggs & Stratton engine
014714	Replacement fan: Line Stringer/Ventilator (right pitch)
300608	1000' Nylon Rope and Reel
066303	4" Parachute
015403	6"–10" Parachute
050628	8"–12" Parachute
300594	10"–18" Parachute
006525	18"–36" Parachute

### Suction Ventilator



### Line Stringer



<sup>1</sup> - CFM performance based on independent laboratory tests. When tested side-by-side at an independent air flow laboratory, Cherne's line stringer, ventilator, and smoke blower beat the competition at every flow condition.

# AIR-LOC<sup>®</sup> SMOKE TESTING



## Smoke Blower Features:

- Effectively identifies inflow
- For use with traditional smoke candles or liquid smoke
- Available with Briggs & Stratton engine
- Generates up to 3,769 cubic feet per minute of air flow<sup>1</sup>
- Made of lightweight, cast aluminum

## Equipped with:

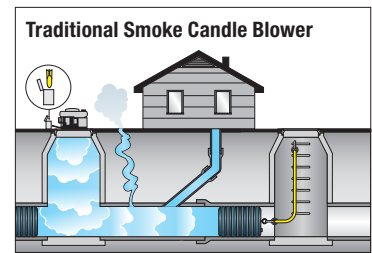
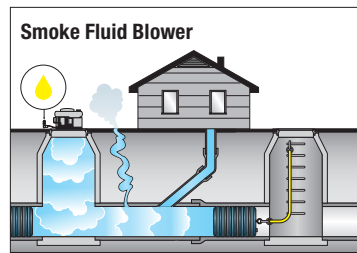
- ½" foam cell gasket to ensure a leak-free seal on manholes and minimize vibration
- Smoke candle box holder (traditional smoke blower only)
- Pressurized tank, hose and all necessary components (liquid smoke blower only)

## Smoke Fluid Features:

- Produces thick, dense smoke
- Easy-to-regulate
- Virtually indefinite storage life
- Improved packaging for ease in pouring

## Smoke Candle Features:

- Produces a thick, dense smoke
- Time-proven
- Simple to use
- Can be used with most smoke blowers
- 3 minute candles available with double wick that allows units to be strung together for a longer smoke time



## SMOKE CANDLE



PART NUMBER	DESCRIPTION
303550	Smoke Candle Smoke Blower Kit: Briggs & Stratton engine
072608	Smoke Candle: 30 seconds
072618	Smoke Candle: 60 seconds
072628	Smoke Candle: 3 minutes
072638	Smoke Candle: 3 minutes, double wick

## SMOKE FLUID



PART NUMBER	DESCRIPTION
303008	Smoke Fluid Smoke blower Kit: Briggs & Stratton engine
036488	Fluid Smoke pressure container and hose: 2 gallons capacity
065808	Fluid Smoke: one gallon (1 per case)
065818	Fluid Smoke: five gallons (1 per case)
065828	Fluid Smoke: fifty-five gallon drum

## ACCESSORIES



PART NUMBER	DESCRIPTION
014722	Smoke Blower replacement fan (left pitch)
058368	Smoke candle holding cage
036498	Fluid Smoke conversion kit from Smoke Candle Briggs & Stratton engine
036308	Fluid Smoke conversion kit from Smoke Candle Briggs & Stratton engine - Pre 2017

<sup>1</sup> - CFM performance based on independent laboratory tests. When tested side-by-side at an independent air flow laboratory, Cherne's line stringer, ventilator, and smoke blower beat the competition at every flow condition.